

profiset

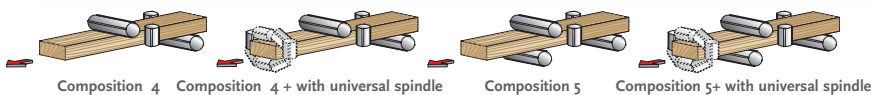
automatic planers and throughfeed moulders



profiset 60

versatile, safe and high performance.

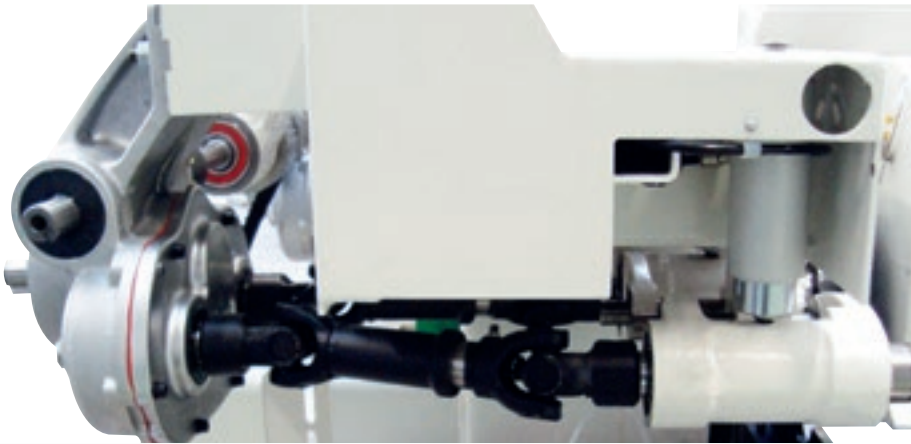
The planers / throughfeed moulders are sturdy machines with high quality components to always ensure the very best performance.



Available in 4 different compositions: 4/5 spindles and the possibility to use the universal spindle in order to meet any profiling requirement.

AUTOMATIC PLANERS AND THROUGHFEED MOULDERS		PROFISSET 60
Min/max working width (finished section)	mm	25/230
Min/max working height (finished section)	mm	6/120
Feed speed	m/min	5÷25
Spindles speed	rpm	6000
Spindles diameter	mm	40
Min/max cutterheads diam. planer group	mm	120÷140
Min/max cutterheads diam. vertical spindles length	mm	100÷180
Min/max cutterheads diam. on top horizontal spindle	mm	125
Min/max cutterheads diam. on bottom horizontal spindle	mm	100÷180
Min/max cutterheads diam. universal spindle	mm	100÷180
Vertical spindles length	mm	140
Horizontal spindles length	mm	250
Universal spindles length	mm	240
Feed rollers diameter	mm	120
Infeed table length	mm	2000
Manual pump for table lubrication		STD
Manual centralised lubrication		STD

main devices

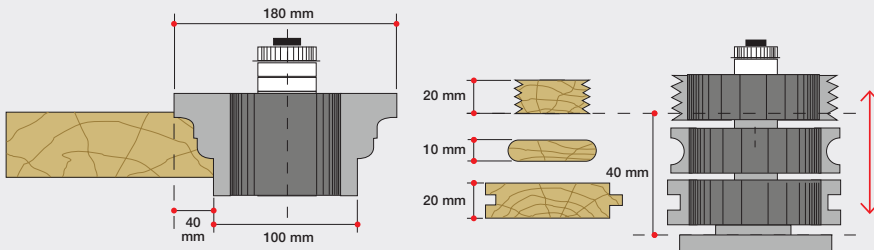
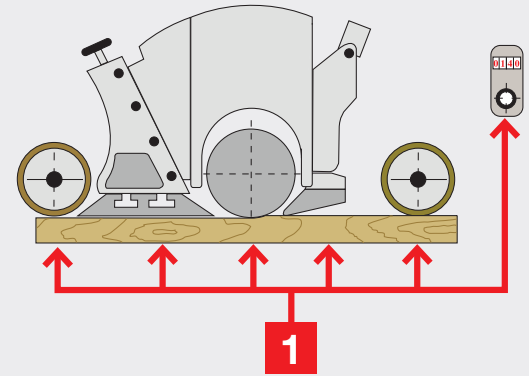


**THE OPTIMUM FEEDING:
MORE PRODUCTIVITY
AND IMPROVED
FINISHING.**

- Gears box drive and cardan joints
- Pneumatic working pressure on the feed rollers
- inverter for the stepless speed adjustment from 5 to 25 m/min

SET UP: TOP SETTING-UP SPEED.

The system has the minimum tool diameter as only reference. A single adjustment to position all the elements and no idle retooling times.



**HIGH PERFORMANCE
AVAILABLE AS
STANDARD.**

The vertical spindles allow a profiling capacity of up to 40mm and an axial adjustment of 40mm to manage more profiles.

**T-SET RAPID TOOL LOCKING DEVICE: MAXIMUM DEGREE
OF SAFETY WITHOUT ANY EFFORTS.**

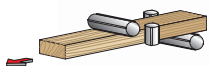
It ensures the locking/unlocking of tools simply through a gun with compressed air.



profiset 40

versatile, ergonomic and safe.

Maximum compactness with minimum overall dimensions to safeguard the essential space for the operator.



4 spindles machine composition with 10mm profiling capacity on the vertical spindles.

AUTOMATIC PLANER AND THROUGHFEED MOULDER		PROFISSET 40
Min/max working width (finished section)	mm	23/180
Min/max working height (finished section)	mm	6/105
Feed speed	m/min	6-12
Spindles speed	rpm	6000
Spindles diameter	mm	35
Min/max cutterheads diam. on planer group unit	mm	100
Min/max cutterheads diam. on vertical spindles	mm	100÷120
Min/max cutterhead diam. on top horizontal spindle	mm	100
Vertical spindles length	mm	120
Horizontal spindles length	mm	190
Feed rollers diameter	mm	120
Infeed table length	mm	1700
Manual pump for table lubrication		STD
Manual centralised lubrication		STD

main devices



**IDLE ROLLER PLACED ON THE TABLE:
THE BEST FINISHING.**

Improved feeding due to the idle roller placed on the outfeed table, typical feature of industrial level machines.



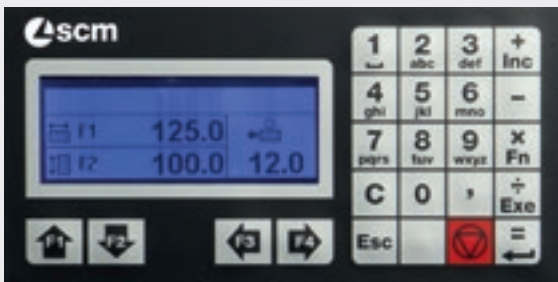
ALWAYS READY TO USE.

The profiset 40 “ep” (CNC version with electronic control) automatically controls the working sections; the feed speed is equipped with only one push button for the sequential motors start.



**“READY” ELECTRONIC CONTROL: WORK
PROGRAMMING BECOMES SIMPLE AND EFFECTIVE.**

- Automatic positioning control of left vertical spindle and top horizontal spindle
- Feed speed programming
- Mode: manual, semiautomatic and automatic with memory capacity up to 99 programs.
- Additional functions: calculator and hour counter.



ERGONOMICS AND SAFETY.

The operator easily manages every working operation due to **all controls at your fingertips.**

The manual pump for the **worktable lubrication** positioned in the working area facilitates its use, assuring always **the best smooth movement** of the work piece (standard).

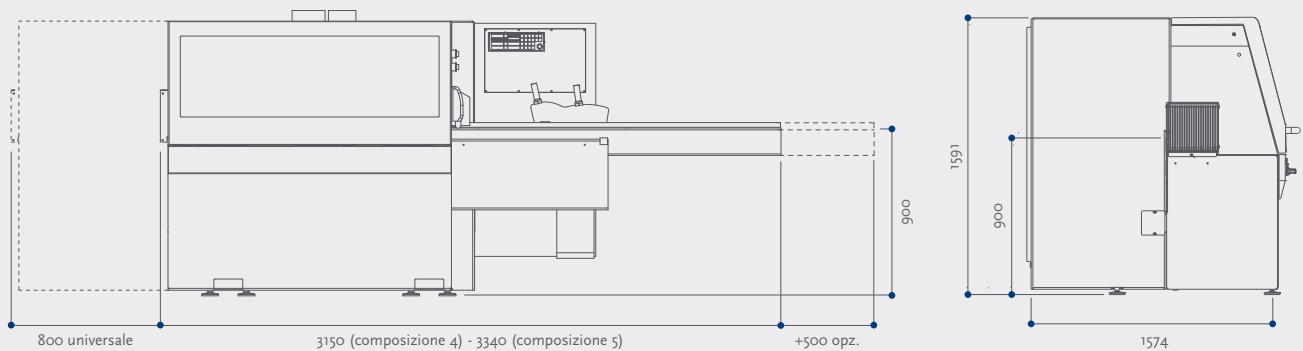


profiset

overall dimensions.

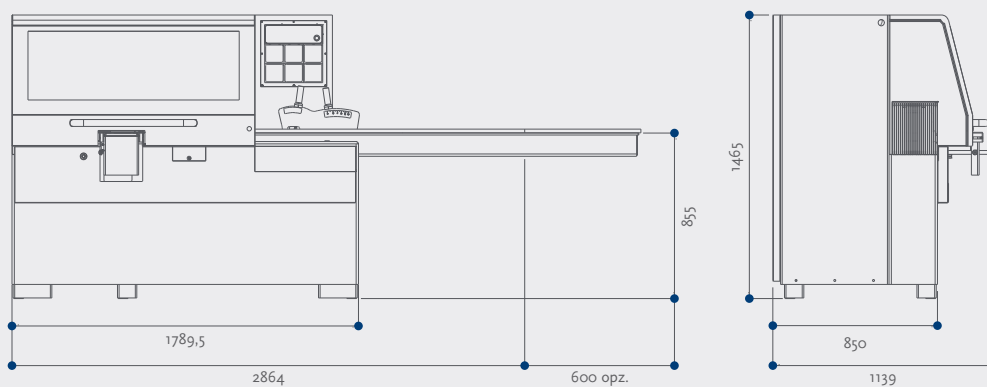
PROFISET 60

dimensions



PROFISET 40

dimensions



The technical data can vary according to the requested machine composition. In this catalogue, machines are shown with options. The company reserves the right to modify technical specifications without prior notice; the modifications do not influence the safety foreseen by the CE Norms.

THE STRONGEST WOOD TECHNOLOGIES ARE IN OUR DNA

SCM. A HERITAGE OF SKILLS IN A UNIQUE BRAND

Over 65 years of success gives SCM the centre stage in woodworking technology. This heritage results from bringing together the best know-how in machining and systems for wood-based manufacturing. SCM is present all over the world, brought to you by the widest distribution network in the industry.

65 years history

3 main production sites in Italy

300.000 square metres of production space

17.000 machines manufactured per year

90% export

20 foreign branches

350 agents and dealers

500 support technicians

500 registered patents

In SCM's DNA also strength and solidity of a great Group. The SCM Group is a world leader, manufacturing industrial equipment and components for machining the widest range of materials.

SCM GROUP, A HIGHLY SKILLED TEAM EXPERT IN INDUSTRIAL MACHINES AND COMPONENTS

INDUSTRIAL MACHINERY

Stand-alone machines, integrated systems and services dedicated to processing a wide range of materials.



WOODWORKING TECHNOLOGIES



TECHNOLOGIES FOR PROCESSING
COMPOSITE MATERIALS, ALUMINIUM,
PLASTIC, GLASS, STONE, METAL

INDUSTRIAL COMPONENTS

Technological components for the Group's machines and systems, for those of third-parties and the machinery industry.



SPINDLES AND
TECHNOLOGICAL COMPONENTS



ELECTRIC PANELS



METALWORK



CAST IRON



is more



SCM GROUP SPA

via Casale 450 - 47826 Villa Verucchio, Rimini - Italy
tel. +39 0541 674111 - fax +39 0541 674274
scm@scmgroup.com
www.scmwood.com



00L0365447A